

KENWOOD VALVE CONTROLS (INDIA) PRIVATE LIMITED

Air Filter Regulator(Series-KB07)

Product Information

Main Features:

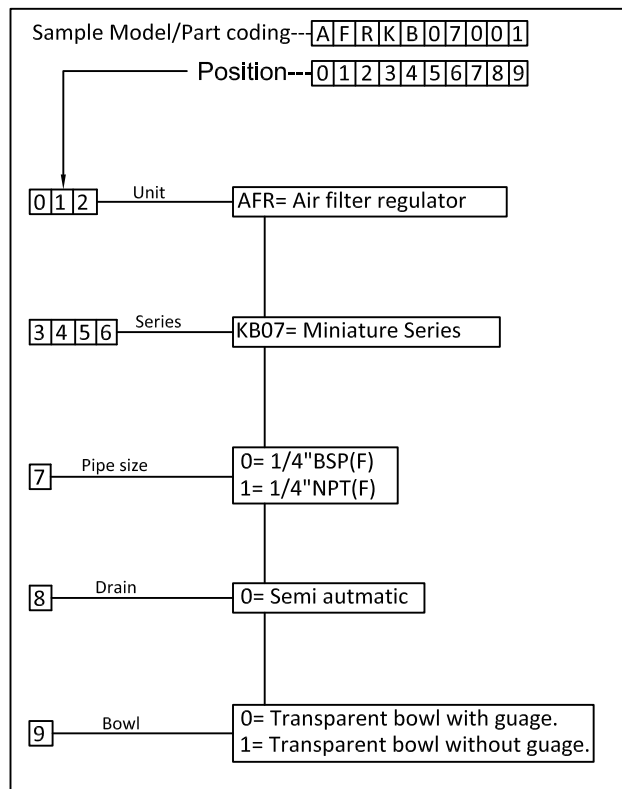
- Compact design and economical.
- Filter removes liquids and solid particles down to 5µm.
- Push to lock adjusting knob.
- Rust free zinc pressure die cast body.

TECHNICAL DATA:

PARAMETERS	SPECIFICATIONS
Pipe threads	1/4" BSP(F)
Body materials	Pressure die cast Aluminium
Filter element size	25 microns
Filter elemental material	Sintered bronze
Bowl material	Transparent polycarbonate
Max inlet pressure	10kgf/cm ²
Operating Temp.(ambient)	-10° to 60°C
Drain	Semi automatic
Regulator type	Relieving
Pressure adjustment	Non-rising plastic knob
Gauge size	42mm OD
Gauge port size	1/8" BSP(F)
Gauge connection	Back
Panel mounting bracket	Standard
Pressure guage	0 to 10kgf/cm ²
Std, Nominal flow at 10 bar inlet pressure & 1 bar drop in set sec. value of 6 bar	13dm ³ /sec(27.75scfm)



Air filter/Regulator ordering coding:



Dimensions

